

3.0 cu. ft. Single Wall Oven with Convection



- 3.0 cu. ft. Capacity
- True Convection
- EasyClean®
- Air Fry and My Recipes
- Steam Sous Vide
- 2 Heavy Duty Racks
- Temperature Probe
- SmoothTouch™ Glass Controls
- InstaView® Window
- LG ThinQ® Technology (Wi-Fi)
- ThinQ Care



COLOR AVAILABILITY

- WSED3067M – Matte Black

CAPACITY

Oven Capacity	3.0 cu. ft.
---------------	-------------

CONTROLS

Oven Control Type	Backlit SmoothTouch™ Glass
Display	LED
Language	English
Clock	12 hr or 24 hr (Option)
Kitchen Timer	Yes
Temperature Unit of Measure	°F or °C
Cooking Complete Reminder Volume	High, Low, Off

OVEN FEATURES

EasyClean®	Yes (10 Mins)
Self Clean	No
Variable Cleaning Time	No
Oven Racks	2 Heavy Duty
Number of Rack Positions	5
Temperature Probe	Yes
True Convection	Yes
Convection Conversion	Yes
Convection Element	Yes (2,000 W)
Built-in Air Fry	Yes (Air Fry Tray Included)
Variable Broil	Yes (High, Med, Low)
Broil Element	3,375 W
Broil Element Type	2 Path (Inner & Outer)
Bake Element	1,633 W
Bake Element Type	Hidden
Water Reservoir	Yes
Steam Sous Vide	Yes
Steam Bake	Yes
Proof	Yes

OVEN FEATURES CONTINUED

Oven Cooking Modes

Bake / Convection Bake / Convection Roast / Broil / Air Fry / Warm / Proof / Frozen Meal / Steam / Steam Bake / Steam Sous-Vide

Maintenance Modes	EasyClean®, Drying, Descaling, Draining
Automatic Safety Shut-Off	After 12 Hours
Oven Lights	Yes
Variable Warm	Yes (High, Med, Low)
Favorites Menu	No

CONVENIENCE

Sabbath Mode	Yes
ADA Compliant	No

SMART FEATURES

Wi-Fi Enabled	Yes
ThinQ® Technology	Yes
ThinQ UP	Yes
ThinQ Care	Yes
Voice Control	Google Assistant, Amazon Alexa
Smart Recipe (3rd Party Recipe App)	Yes
SmartDiagnosis™	Yes

FINISHES AND APPEARANCE

Handle Finish	Black
Oven Door Feature	InstaView® WideView™ Window

TECHNICAL SPECS

Required Power Supply	240/208V, 60Hz, 3-Wire
Minimum Circuit Breaker	15.4 Amp
kW Rating at 240V	3.7 kW
Power Outlet Location	See Installation Diagram

INCLUDED ACCESSORIES

Temperature Probe, 2 Heavy Duty Racks, Air Fry Tray, Steam Tray

DIMENSIONS

Product Dimensions (W x H x D)	23 5/16" x 23 3/8" x 22 7/16"
Minimum Cutout Dimensions, Standard Installation (W x H x D)	22 1/16" x 23 1/4" x 21 15/16"
Cutout Dimensions, Flush Installation (W x H x D)	23 5/8" x 23 5/8" x 22 7/8"
Carton Dimensions (W x H x D)	27 9/16" x 25 7/16" x 26"
Approx. Weight (Product / Carton)	88.6 lbs. / 108.5 lbs.

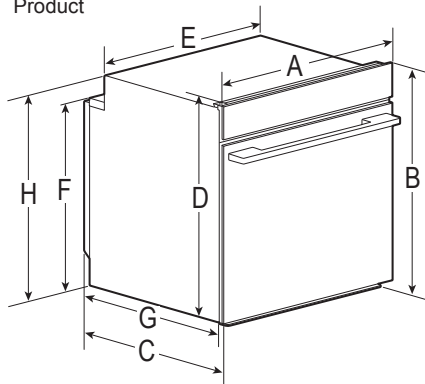
LIMITED WARRANTY

Parts and Labor	1 Year
-----------------	--------

DIMENSIONS / CLEARANCES

Measure the current cutout dimensions and compare them to the cutout dimensions shown below. Little or no cabinet work may be necessary.

Product



DIMENSIONS / CLEARANCES

A	Width	23 5/16" (592 mm)
B	Height	23 3/8" (594 mm)
C	Depth	22 7/16" (569 mm)
D	Height (standard installation)	22 13/16" (579 mm)
E	Width (back)	22" (558 mm)
F	Height (back)	19 13/16" (503 mm)
G	Depth (back)	21 5/8" (549 mm)
H	Overlap of oven	22 11/16" (576 mm)

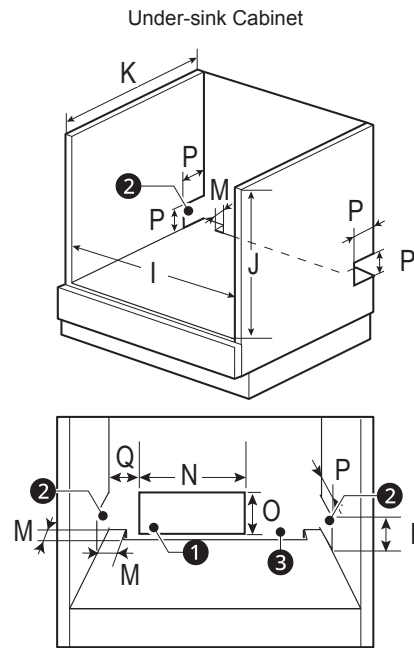
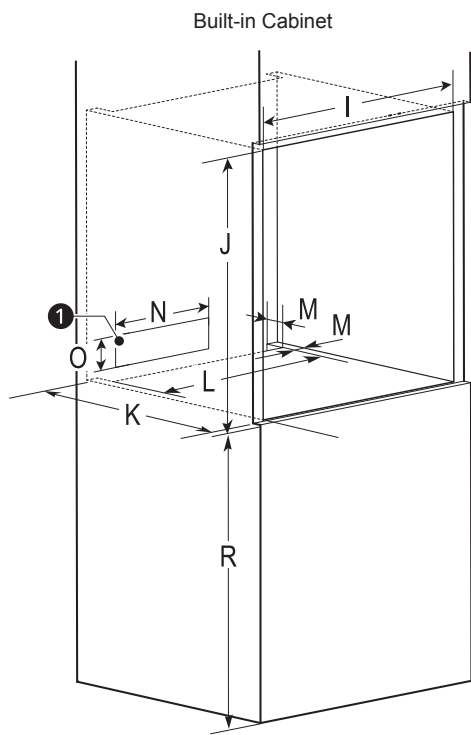
INSTALLATION NOTES

- The cabinet base platform must be able to support 190 lbs (86 kg). If the cabinet does not have a solid bottom, two braces or runners must be installed level with the bottom of the cutout to support the weight of the oven. Make sure the base is level and the front of the cabinet is square. If the cabinet base is not level, the oven racks will tend to slide out when opening the door.
- Make sure the cabinets and wall coverings around the oven can withstand the temperature (up to 194° (90°)) generated by the oven. Discoloration, delamination or melting may occur.
- Kitchen cabinets in contact with the oven must be heat resistant up to 194°F (90°C), and fronts of nearby units up to at least 158°F (70°C).
- DO NOT put any weight on the oven door. Never allow anyone to climb, sit, stand or hang on the oven door. The oven could be tipped and injury might result from contact with hot food or the oven itself.
- DO NOT block the oven air exhaust located at the bottom of the oven. Blocking the exhaust may cause cabinet damage and product malfunction.

NOTE

- Make sure the oven is flush with the front of the enclosure.
- A malfunction can occur if the steam oven is not correctly aligned. For correct functioning of the steam generator please make sure that the steam oven is horizontally level. (On some models)
- When mounting in a built-in cabinet, decide the dimension of the built-in cabinet's depth so that the offset between the door glass face and front surface of the left and right sides of the cabinet will be less than 1/16" (1 mm).
- Remove the cable ties before installing the product. Make sure the base is level and the front of the cabinet is square. If the cabinet base is not level, the oven glides will tend to slide out when opening the door.
- To lift the oven, use the openings on the side.
- Do not install a dishwasher under the oven.
- Do not install the product on the floor.

DIMENSIONS / CLEARANCES

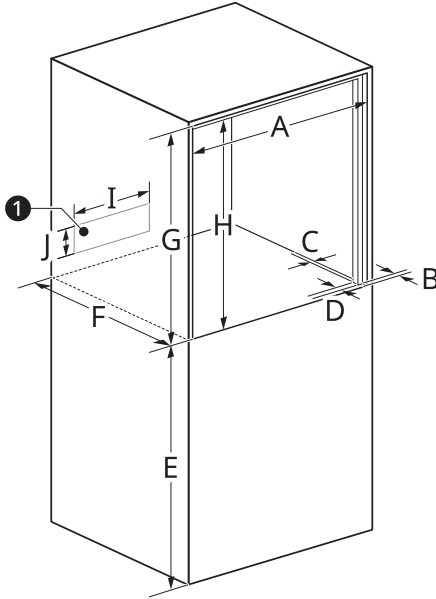


❶	Back of the kitchen cabinet	If desired, create openings at ❶ and ❷ to allow the power lines to pass through the cabinet.
❷	Side of the kitchen cabinet	
❸	Ventilation space	

LIST		DIMENSIONS	
		BUILT-IN CABINET	UNDER-SINK CABINET
I	Cutout width	22 1/16" (560 mm) Min. 22 3/16" (563 mm) Max.	22 1/16" (560 mm) Min.
J	Cutout height	23 1/4" (590 mm) Min. 23 3/8" (593 mm) Max.	23 5/8" (600 mm) Min.
K	Cutout depth	21 15/16" (556 mm) Min.	21 15/16" (556 mm) Min.
L	Width (ventilation)	18 1/8" (460 mm)	18 1/8" (460 mm)
M	Distance (ventilation)	2" (50 mm)	2" (50 mm)
N	Width (back of the kitchen cabinet)	12 5/8" (320 mm)	12 5/8" (320 mm)
O	Height (back of the kitchen cabinet)	2 3/4" (70 mm)	4 3/4" (120 mm)
P	Distance (side of the kitchen cabinet)	—	3 15/16" (100 mm)
Q	Distance from side wall to cabinet	2 3/4" (70 mm)	2 3/4" (70 mm)
R	Cutout location from floor	27 9/16" (700 mm) (19 11/16" ~ 35 7/16") (500 ~ 900 mm)	—

DIMENSIONS / CLEARANCES

Cutout Dimensions (Flush)



1	Back of the kitchen cabinet	If desired, create an opening at 1 to allow the power lines to pass through the cabinet.
----------	-----------------------------	---

DIMENSIONS / CLEARANCES

A	Cutout width	23 5/8" (600 mm)
B	Cleat inset from front of cabinet	13/16" (20 mm)
C	Cleat width	13/16" (20 mm)
D	Cleat depth	1 3/16" (30 mm)
E	Bottom of cutout from floor	27 9/16" (700 mm)
F	Cutout depth	22 7/8" (580 mm)
G	Cutout height	23 5/8" (600 mm)
H	Cleat (spacer) height	22 7/8" (580 mm)
I	Width (back of the kitchen cabinet)	12 5/8" (320 mm)
J	Height (back of the kitchen cabinet)	2 13/16" (70 mm)